

**NKI32/30-XL**

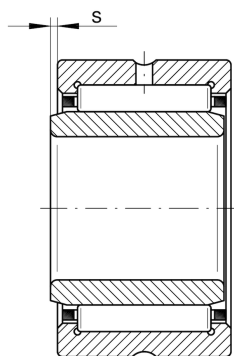
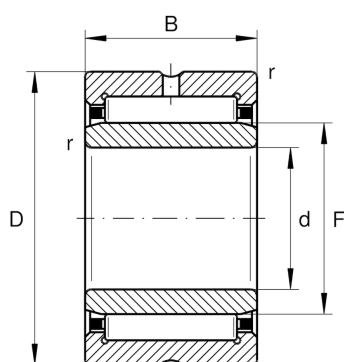
Needle roller bearing

Schaeffler ID:
0507622140000

Needle roller bearings NKI, light series

X-life

Technical information

**Main Dimensions & Performance Data**

d	32 mm	Bore diameter
D	47 mm	Outside diameter
B	30 mm	Width
C_r	42,000 N	Basic dynamic load rating, radial
C_{0r}	73,000 N	Basic static load rating, radial
C_{ur}	13,700 N	Fatigue load limit, radial
n_G	12,300 1/min	Limiting speed
n_{gr}	6,600 1/min	Reference speed
	176.9 g	Weight

Dimensions

F	37 mm	Raceway diameter inner ring
r_{min}	0.3 mm	Minimum chamfer dimension
s	1 mm	Axial displacement

Temperature range

T_{min}	-30 °C	Operating temperature min.
T_{max}	120 °C	Operating temperature max.